



REPUBLIC OF NAURU

# Government Gazette

*Published by Authority*

No. 54

4th December, 1985

Nauru.

G.N.No.454/1985.

REPUBLIC OF NAURU

PUBLIC SERVICE ACT 1961 - 1979

I, BURARO DETUDAMO, Minister responsible for the Public Service, IN EXERCISE OF THE POWERS vested in me under Section 15, sub-section 1, paragraph (a) of the Public Service Act 1961 - 1979 DO HEREBY CREATE the following new offices in the Department of Health and Education:

<u>POSITION</u>	<u>NUMBER</u>	<u>CLASSIFICATION</u>
Sisters	5	T/3

Dated this 22nd day of November, One Thousand Nine Hundred And Eighty -Five.

BURARO DETUDAMO  
ACTING PRESIDENT AND  
MINISTER FOR PUBLIC SERVICE

G.N.No.455/1985.

PUBLIC SERVICE ACT 1961 - 1979NOTICE OF PROMOTION

The following promotions are hereby notified:

DEPARTMENT OF WORKS & COMMUNITY SERVICES

<u>NAME</u>	<u>PROMOTED FROM</u>	<u>PROMOTED TO</u>	<u>EFFECTIVE DATE</u>
KEPAE, Delmonte	Labourer \$5898 - \$6090 p.a. (M/1)	Plumber (2nd Class) \$6318 - 6978 p.a. (T1/3)	28/12/84
GOGOMA, Rommel	Assistant Storeman \$6006 - \$6234 p.a. (T/1)	Storeman \$6318 - 6606 p.a. (T/2)	15/02/85

Any Officer of the Public Service may appeal against the above promotions as provided under Section 25 of the Public Service Act. Appeals should be based on one or other grounds as set out in Section 25 (2) and should be lodged in writing stating the grounds of appeal, with the Public Service Commissioner within seven days after the date of this Gazette.

Dated this 2nd day of December, 1985.

L. G. N. HARRIS  
ACTING PUBLIC SERVICE COMMISSIONER

G.N.No.456/1985.

PUBLIC SERVICE ACT 1961 -1979

VACANCIES - SECTION 20

Applications are invited from both inside and outside the Public Service for appointment, transfer or promotion to the following positions:

DEPARTMENT OF HEALTH AND EDUCATION

(Directorate of Education)

- POSITION : Primary School Teacher
- NO.OF POSTS : Four (4)
- DUTIES : To teach classes at Primary Level.
- 
- POSITION : Home Science Teacher  
Nauru Secondary School
- NO.OF POSTS : One (1)
- DUTIES : To teach Home Economics, Domestic Science (including cooking , nutrition, Home Craft, sewing and Fabric) at Secondary Level; Knowledge of traditional island crafts an advantage.
- QUALIFICATIONS : Trained Teachers Certificate or equivalent.  
For Above Positions Graduate Teachers preferred for Secondary Level. Experience in teaching of English as second Language would be an advantage.
- SALARY : Non-Certificated A\$6006 - \$6978 p.a. (T1/T3)  
For Above positions Certificated A\$7422 - \$8718 p.a. (T4/T8)

Applications stating name, age, qualifications and experience should be forwarded to the Public Service Commissioner no later than 4.30 p.m on Friday 20th December, 1985.

Dated this 29th day of November, 1985.

L. G. N. HARRIS  
ACTING PUBLIC SERVICE COMMISSIONER

G.N.No.457/1985.

BIRTHS, DEATHS AND MARRIAGESORDINANCE 1957 - 1967BIRTHS, DEATHS AND MARRIAGES REGISTERED THE WEEK ENDED 29TH NOVEMBER,  
1985 WERE:-BIRTHS1. NAURUAN

NAME	DATE OF BIRTH	SEX	REG'D DISTRICT	MOTHER'S NAME
EIBIRINANG, KERI-ANN, DANGO, STEVIE, DE-ROSE, ANGELIQUE, EUNICE, DANIELLA, CLAMANIDA.	27/09/84	F	UABOE	ANETTE DETUDAM
MILTON, JULIAN.	19/08/85	M	BOE	IRENE TATU
JASMINE, ANGELITA, ROSIE, JENNA, LENNA, DURABENIGA, EIDANDEB, ROSEN, IPUDUANOR.	22/08/85	F	EWA	ELIZA TUFELE
JANE, ANGELINA, SUMOU, EATONE.	30/08/85	F	DENIG	NANA AGIANGANG
LUCIA, DELVENE, DELANI, JOSERICA.	20/09/85	F	AIWO	MARIA DEIDENANG
SANTANA, PAXSON, IGNATIUS.	12/10/85	M	ANETAN	MADONNA DONGOBIR
STENE, STALLON, JONDYKE, ITEMA.	12/10/85	M	BUADA	LOIS DEDUNA
ZIMRI, SEMEON.	17/10/85	M	AIWO	DORIS DEIRERAGEA
CHARISSE, POLLYANNA, VELVET, CUFE.	19/10/85	F	UABOE	SHARON BURAMEN
MARITZA, LYNETTE.	20/10/85	F	BUADA	MARGARITA FRITZ
BARON, ANGAM.	26/10/85	M	IJUW	EIGAGOA KEPPA
KAMARIN, OAI0-ANIN, TYRUS, URIA, WINDUM, TOS-FERNANDO, CARLEWIS, TIKO.	30/10/85	M	BUADA	RAVENIA DAGEAGO
MAXEN, RE-JASON, BEXENDON, LINCOLN.	03/11/85	M	ANABAR	LORITTA ADUN
LINETTE, VANESSA, REENA, TRYPHENA, TIFFANY, CORDONIA, DAISY, EDOEA.	08/11/85	F	BUADA	CORINNE JORAM

## G.N.No.457/1985 (cont'd)

NAME	D.O.B.	SEX	REG'D DIST.	MOTHER'S NAME
DENIRO, JERUSALEM, BOP	17/11/85	M	MENENG	LIMONE TIMOTHY

2. O.P.I. N - I - L3. CHINESE N - I - L4. OTHERS

NAME	D.O.B.	SEX	RESIDENCE
SHARADA P. DESAI	29/10/85	F	MENENG DISTRICT

DEATHS1. NAURUAN

NAME	DATE OF DEATH	SEX	AGE	TRIBE
EKATATO DUBE	09/11/85	F	53 YRS	EAMWIDMWIT
FRENZIA DICK	10/11/85	F	18 YRS	IRUWA
JOHNNY COOL DEKARUBE	24/11/85	M	12 YRS	EAMWIT

2. O.P.I. N - I - L3. CHINESE

NAME	DATE OF DEATH	SEX	RESIDENCE
CHAN SAU HA	17/11/85	F	N.P.C. LOCATION

MARRIAGES

DEREK ADAM of Aiwo District and ANGELIE TUTE TEBOUWA of Uaboe District on 8th November, 1985 by Pastor JAMES AINGIMEA, at the Tsiminita Memorial Church, Nauru.

ELEI TEVAE of Tuvalu and TAUKE TALAKE also of Tuvalu on 15th November, 1985 by Rev. Morikao Kaua, at the N.P.C. Location Church, Nauru.

TAM WUT MING of China and LUO MIAO YAN also of China on 17th October, 1985 by Rev. Morikao Kaua, at the N.P.C. Location Church, Nauru.

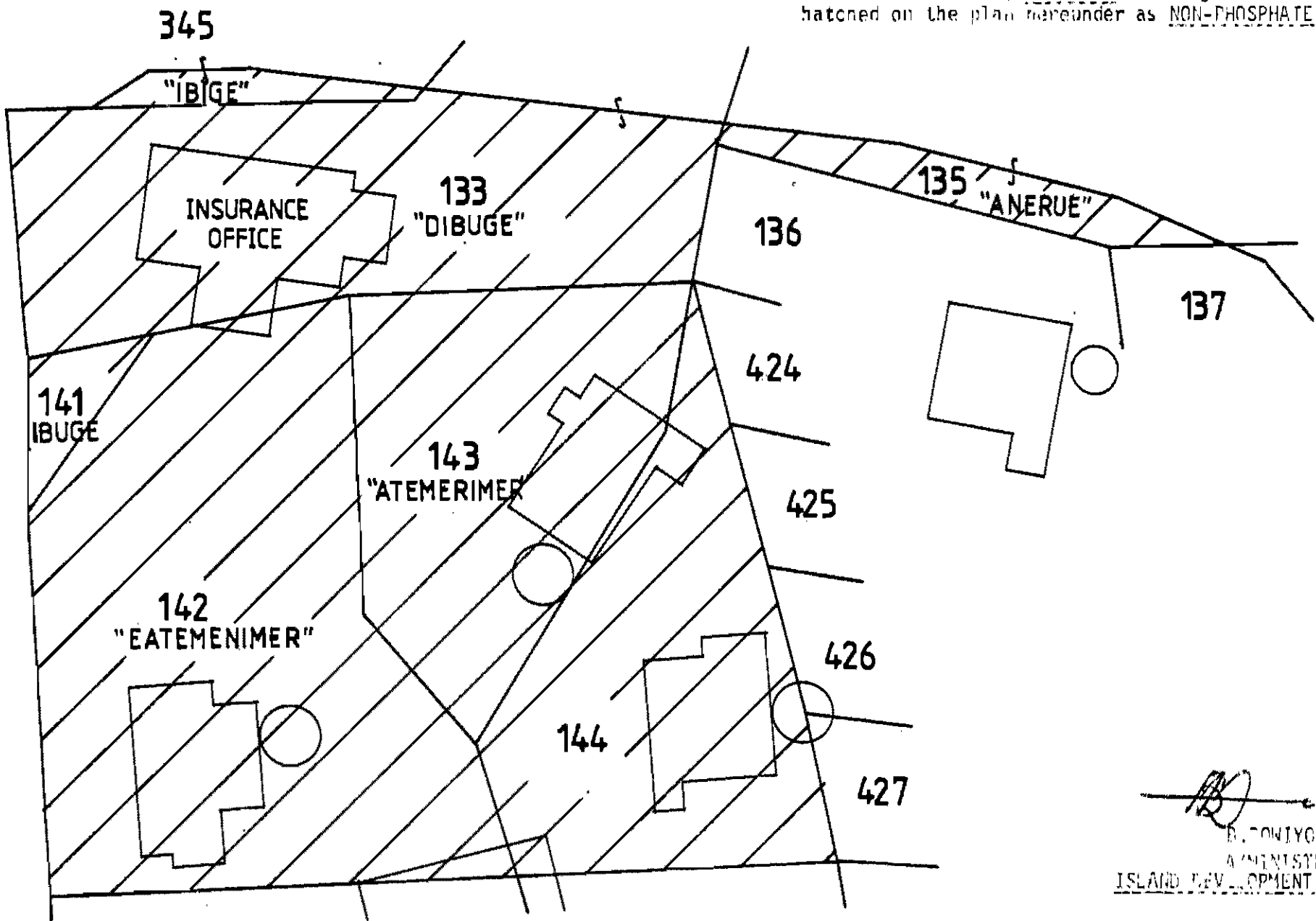
M.B. CAIN  
DEPUTY REGISTRAR  
BIRTHS, DEATHS & MARRIAGES

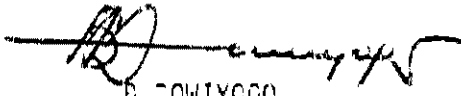
# DISTRICT OF AIWO

SCALE - 1:500

## CLASSIFICATION OF LAND.

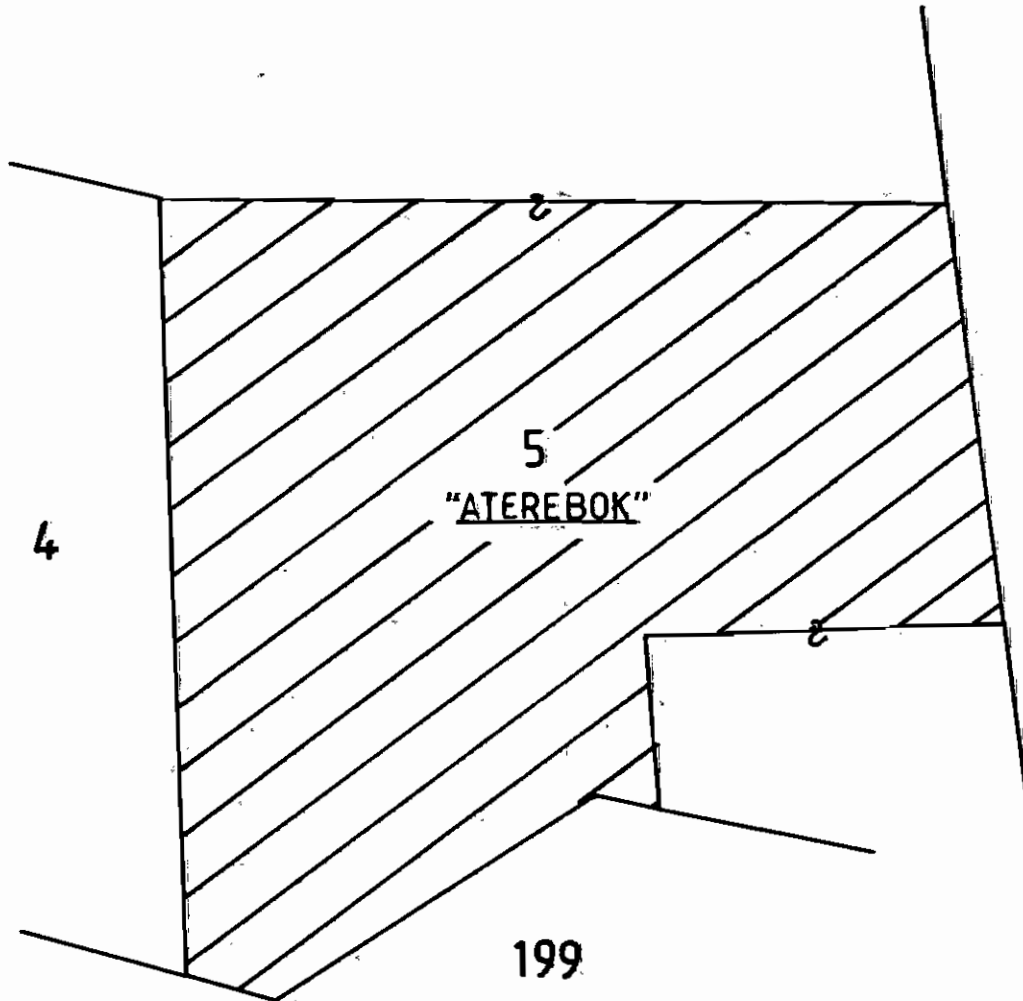
BY VIRTUE of the powers vested in me by SECTION 10 of the LANDS ACT 1976, I HEREBY classify the land shown hatched on the plan hereunder as NON-PHOSPHATE AGRICULTURAL LAND.



  
 R. TONIYOGO  
 MINISTER  
 ISLAND DEVELOPMENT & INDUSTRY.

DISTRICT OF ANIBARE

SCALE 1:500



CLASSIFICATION OF LAND

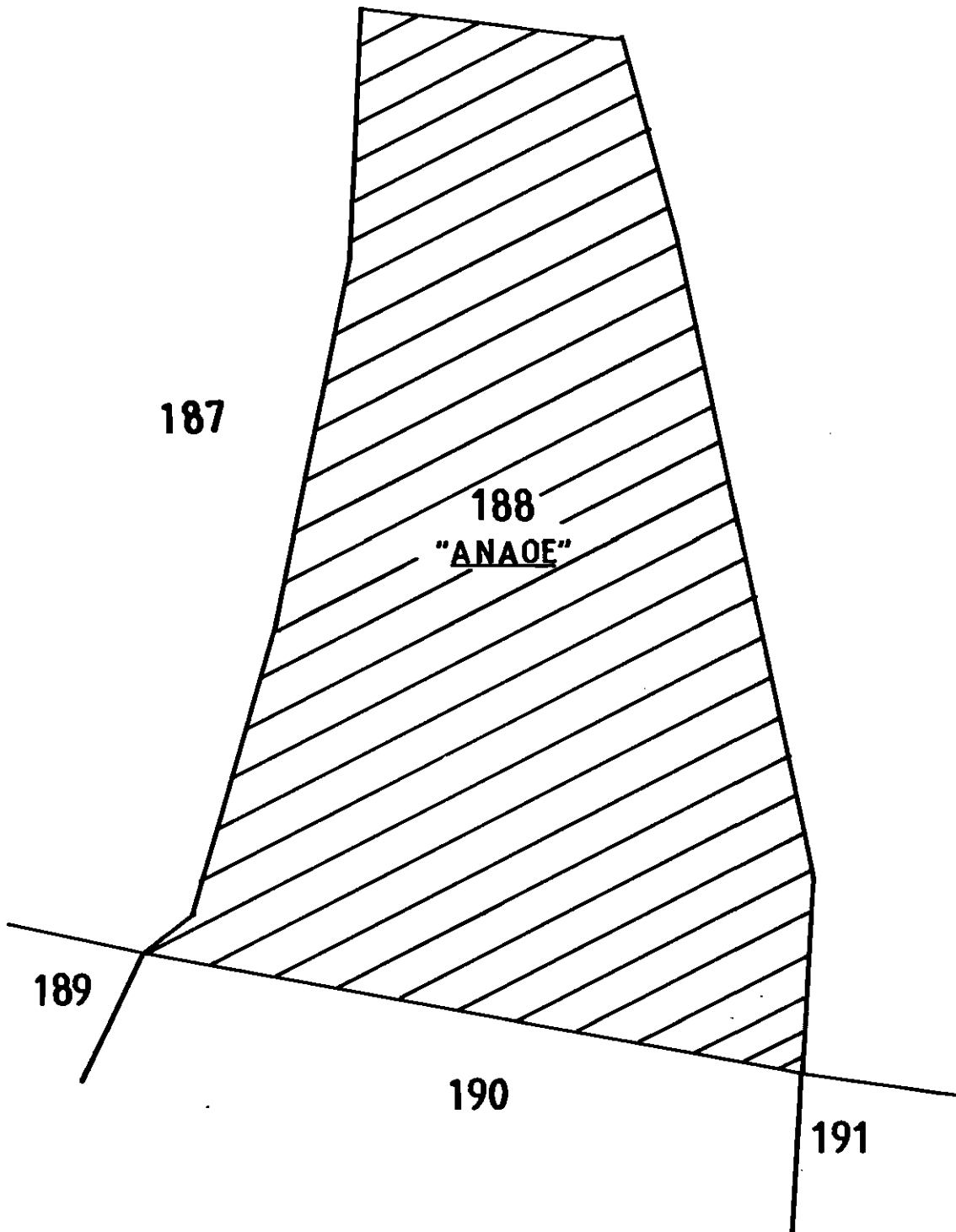
BY VIRTUE of the power vested in me by SECTION 7 of the LANDS ACT 1976, I HEREBY classify the land shown hatched on the plan hereunder as NON-PHOSPHATE BEARING LAND.

A handwritten signature in black ink, appearing to read 'R. Domiyogo'.

R. DOMIYOGO  
ACTING MINISTER  
FOR ISLAND DEVELOPMENT & INDUSTRY.


DISTRICT OF MENENG

SCALE 1:500



CLASSIFICATION OF LAND

BY VIRTUE of the powers vested in me by SECTION 7 of the LANDS ACT 1976, I HEREBY classify the Land shown hatched on the plan hereunder as NON-PHOSPHATE BEAUTIFUL LAND.

  
B. DOHIYOGO  
ACTING MINISTER  
ISLAND DEVELOPMENT & INDUSTRY.

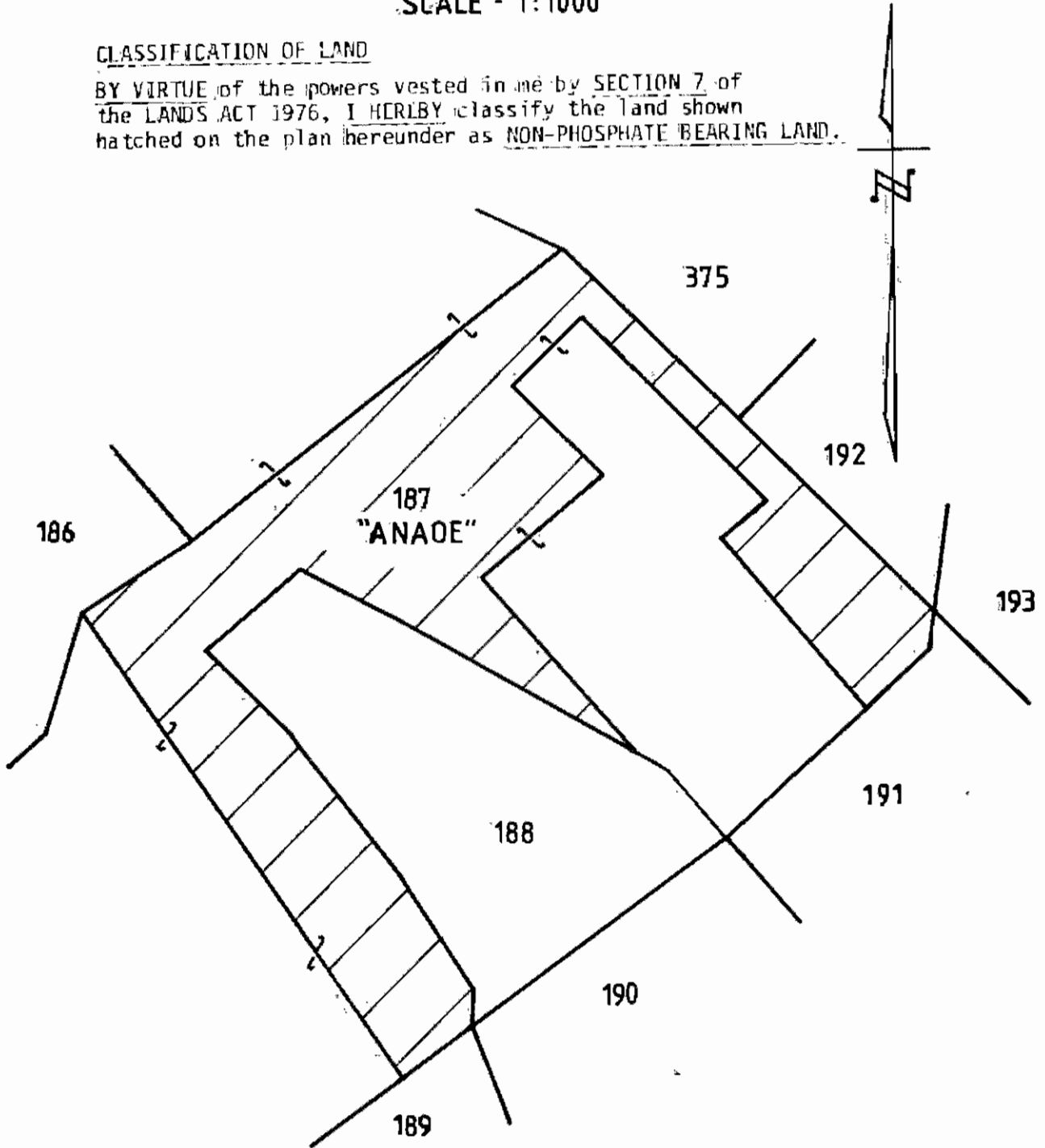


# DISTRICT OF MENENG

SCALE - 1:1000

## CLASSIFICATION OF LAND

BY VIRTUE of the powers vested in me by SECTION 7 of the LANDS ACT 1976, I HEREBY classify the land shown hatched on the plan hereunder as NON-PHOSPHATE BEARING LAND.

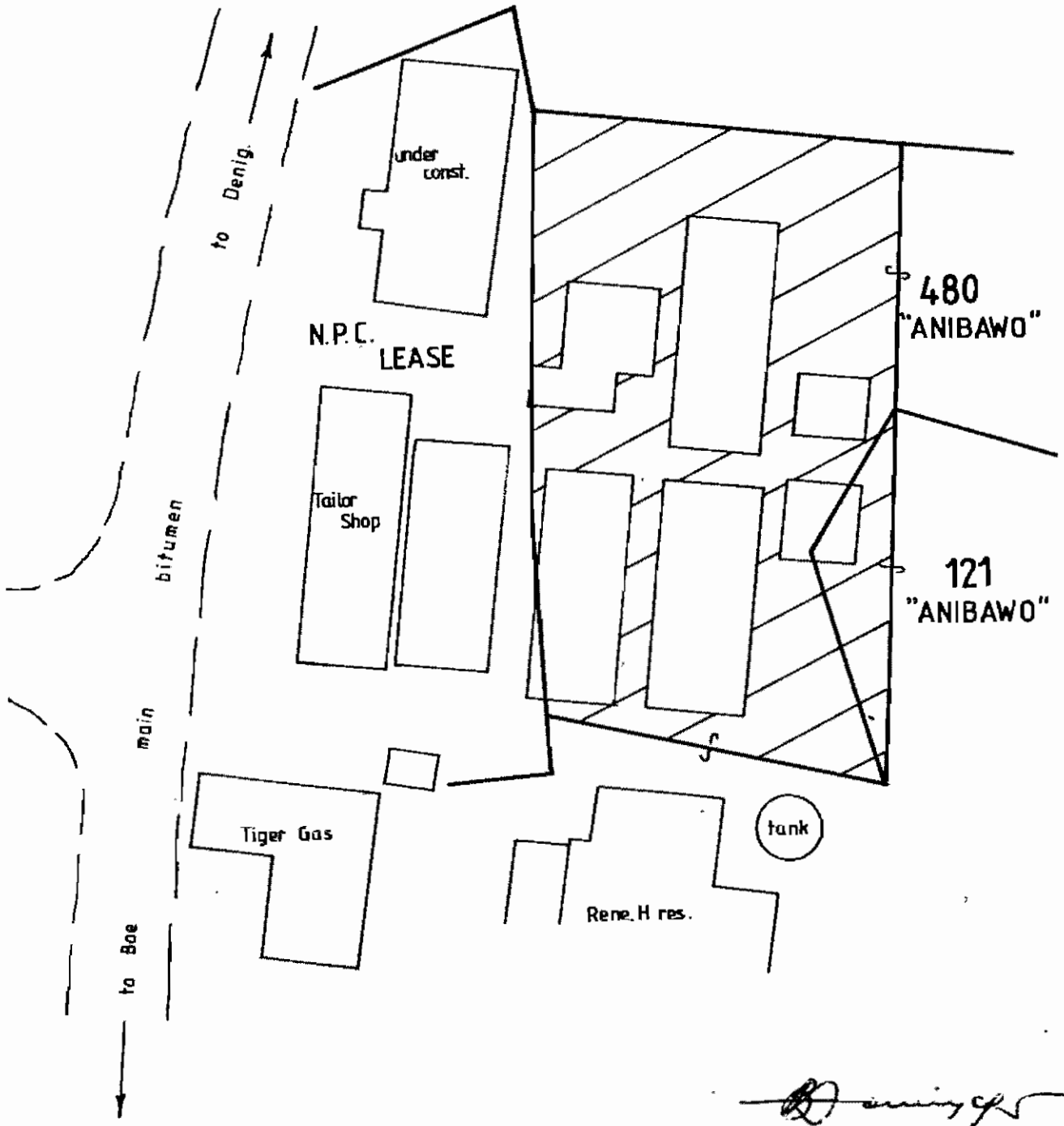


  
B. DONUYOGO  
A/MINISTER  
ISLAND DEVELOPMENT & INDUSTRY.

# DISTRICT OF AIWO

## Scale 1:500

CLASSIFICATION OF LAND  
BY VIRTUE of the powers vested in me by SECTION 7 of  
the LANDS ACT 1976, I HEREBY classify the land shown  
hatched on the plan hereunder as NON-PHOSPHATE BEARING  
LAND.



*B. Nonyogo*  
B. NONYOGO  
ACTING MINISTER  
ISLAND DEVELOPMENT & INDUSTRY

G.N.No. 463/1985

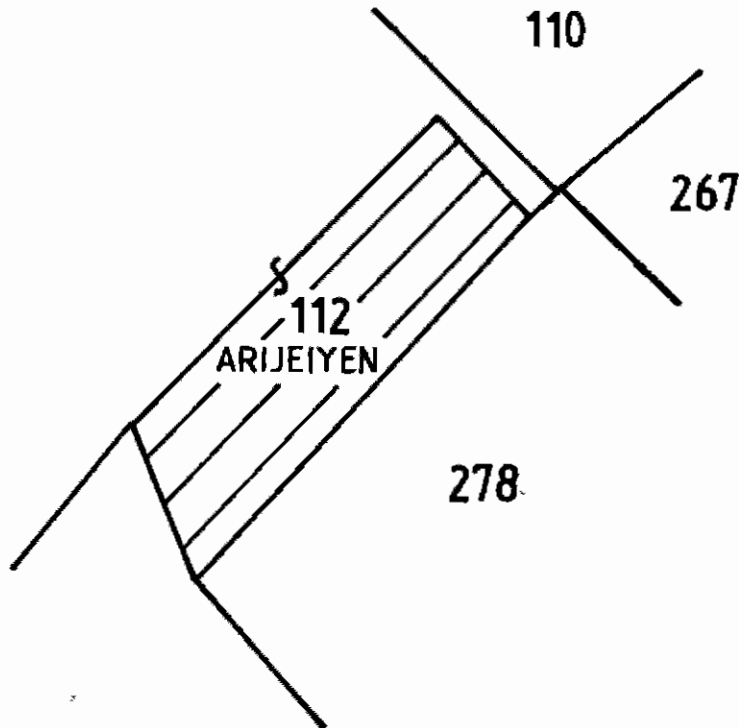
DISTRICT OF DENIGOMODU



SCALE 1:500

CLASSIFICATION OF LAND

BY VIRTUE of the powers vested in me by SECTION 7 of the LANDS ACT 1976, I HEREBY classify the land shown hatched on the plan hereunder as NON-PHOSPHATE BEARING LAND.



B. DOWIYOGO.  
ACTING MINISTER  
ISLAND DEVELOPMENT & INDUSTRY.

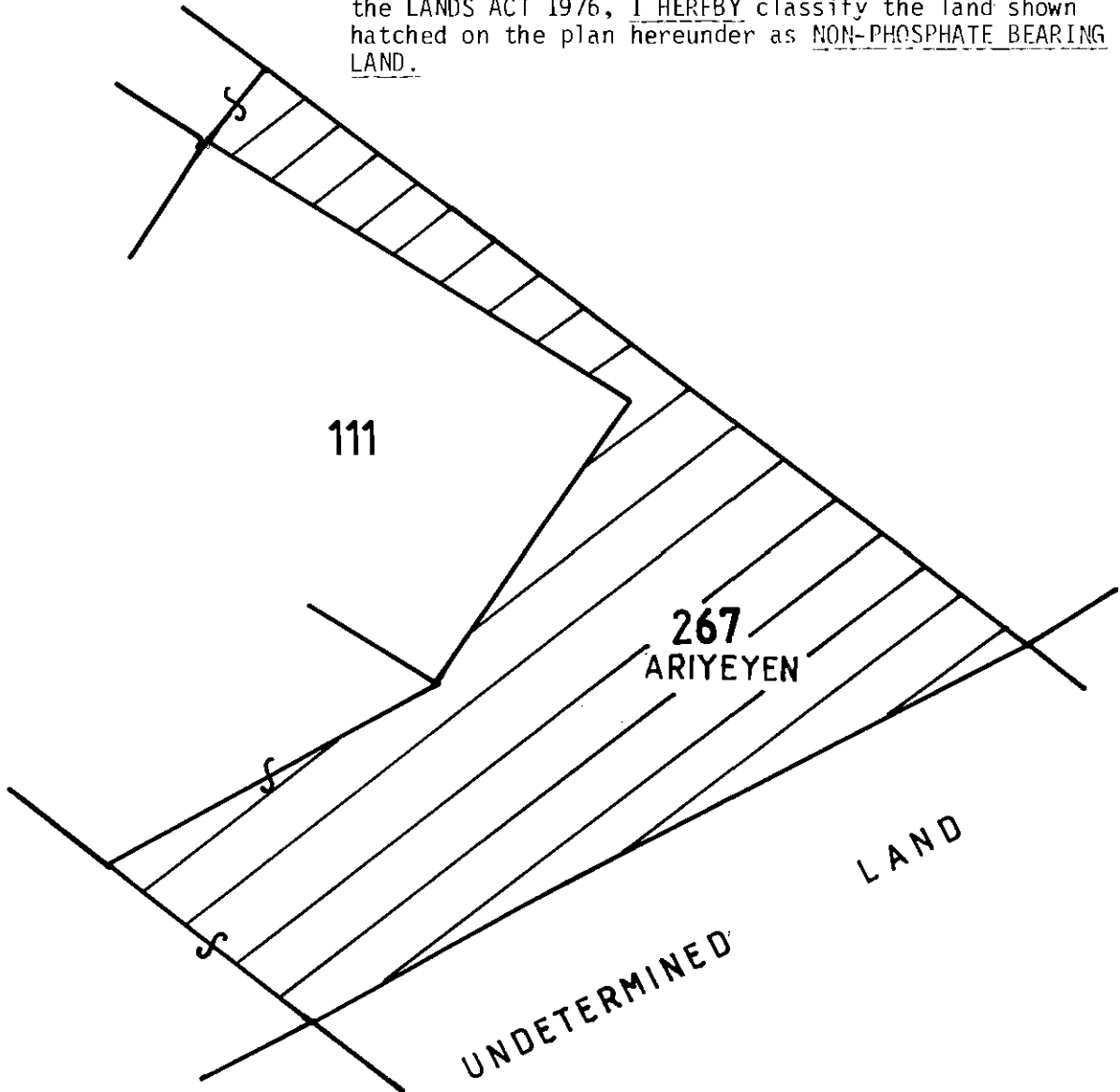
DISTRICT OF DENIGOMODU



SCALE 1:500

CLASSIFICATION OF LAND

BY VIRTUE of the powers vested in me by SECTION 7 of the LANDS ACT 1976, I HEREBY classify the land shown hatched on the plan hereunder as NON-PHOSPHATE BEARING LAND.



B. DOWIYOGO  
ACTING MINISTER  
ISLAND DEVELOPMENT & INDUSTRY.