



Probation Officer.

REPUBLIC OF NAURU

Government Gazette

Published by Authority

No. 39

19 July 1978

Nauru

G.N. No. 173/78

CORPORATION ACT 1972

SECTION 9

APPOINTMENT OF REGISTERED CORPORATION AUDITOR

I, JAMES ATEGAN BOP, Acting Minister for Island Development & Industry, exercising the functions of the Minister for Island Development and Industry during the absence of the Minister from Nauru, in exercise of the Minister's powers under Section 9 of the Corporation Act 1972, HEREBY APPOINT BRIAN NORMAN TRELEAVEN of 144 Terry Street, Connellis Point, Sydney, New South Wales, Australia, to be a registered Corporation Auditor.

Given under my hand this 12th day of July 1978.

J A Bop
A/MINISTER FOR ISLAND DEVELOPMENT
AND INDUSTRY

G.N. No. 174/78

REPUBLIC OF NAURU

MOTOR TRAFFIC ACT 1937-1973

REVOCATION OF APPOINTMENT OF REGISTRAR OF MOTOR VEHICLES UNDER SECTION 5

I, BURARO DETUDAMO, Minister for Justice, in exercise of the powers vested in me by Section 5 of the Motor Transport Act 1937-1973, DO HEREBY revoke the appointment of the Secretary for Finance, to the office of Registrar of Motor Vehicles.

Given under my hand this 4th day of July, One Thousand, Nine Hundred and Seventy Eight.

R B Detudamo
MINISTER FOR JUSTICE

No. 39

19 July 1978

Nauru

G.N. No. 176/1978

REPUBLIC OF NAURU
REGISTRATION OF MOTOR VEHICLES, AND
LICENCES TO DRIVE MOTOR VEHICLES

IT IS HEREBY NOTIFIED that as from Saturday the 1st day of July 1978, registration of motor vehicles and issue of driver's licences will be handled by the Justice Department, Government Buildings.

Accordingly all applications for registration of motor vehicles and applications for driver's licences should be presented to the relevant office, which office will be found in the Government Buildings in the Employment Office.

D G Lang
REGISTRAR OF MOTOR VEHICLES

G.N. No. 177/1978

REPUBLIC OF NAURU
LEGAL PRACTITIONERS ACT 1973
LEGAL PRACTITIONERS (ADMISSION) RULES 1973
(Rule 3)

NOTICE OF APPLICATION FOR ADMISSION TO PRACTICE

Notice is hereby given that RODNEY JAMES HOOKER of Meneng District has lodged a petition seeking admission to practice as a barrister and solicitor.

Any person knowing any reason why the petition should not be granted may, within 14 days of the date of this notice, lodge with the Registrar of the Supreme Court at Yaren a written statement of the grounds of his objection.

DATED this 11th day of July 1978

K P Whitcombe
REGISTRAR OF THE SUPREME COURT

G.N. No. 178/1978

CORPORATION ACT 1972
(S. 177)
TARTAN INVESTMENTS CORPORATION
(In Voluntary Liquidation)

Notice is hereby given that the creditors of the above named corporation are requested on or before the 31st day of July 1978

No. 39

19 July 1978

Nauru

G.N. No. 178/1978 (cont'd)

to send in their names and addresses with particulars of their claims to the undersigned or to the Official Liquidator, A L Murty Esq FCA 70/71 New Bond Street, London S.1., England. If so required by notice in writing by the said Liquidator such creditors are to prove their debts and claims at such time and at such place as shall be specified in the notice or in default thereof they will be excluded from the benefit of any distribution made before such claims are proved.

This notice is purely formal. All known creditors have been or will be paid in full.

Dated this 14th day of July 1978

R A Meyrick
NAURU AGENCY CORPORATION
Registered Corporation Agent

G.N. No. 179/1978

CORPORATION ACT 1972

(S. 177)

WORTHINGTON DISTRIBUTING CORPORATION

(In Voluntary Liquidation)

Notice is hereby given that the creditors of the above named corporation are required on or before the 31st day of July 1978 to send in their names and addresses with particulars of their claims to the undersigned or to the Official Liquidator, A L Murty Esq FCA 70/71 New Bond Street, London W.1., England. If so required by notice in writing by the said Liquidator such creditors are to prove their debts and claims at such time and at such place as shall be specified in the notice or in default thereof they will be excluded from the benefit of any distribution made before such claims are proved.

This notice is purely formal. All known creditors have been paid or will be paid in full.

Dated this 14th day of July 1978

R A Meyrick
NAURU AGENCY CORPORATION
Registered Corporation Agent

G.N. No. 180/1978

ADDENDUM

To G.N. No. 156/1978 of Gazette No. 34 of 1978, under Section 2 Determination of Beneficiaries :

<u>ADD</u>	Eyawet JONE	(LTO)	Share 1/18
	Pres NIME	(LTO)	Share 1/18

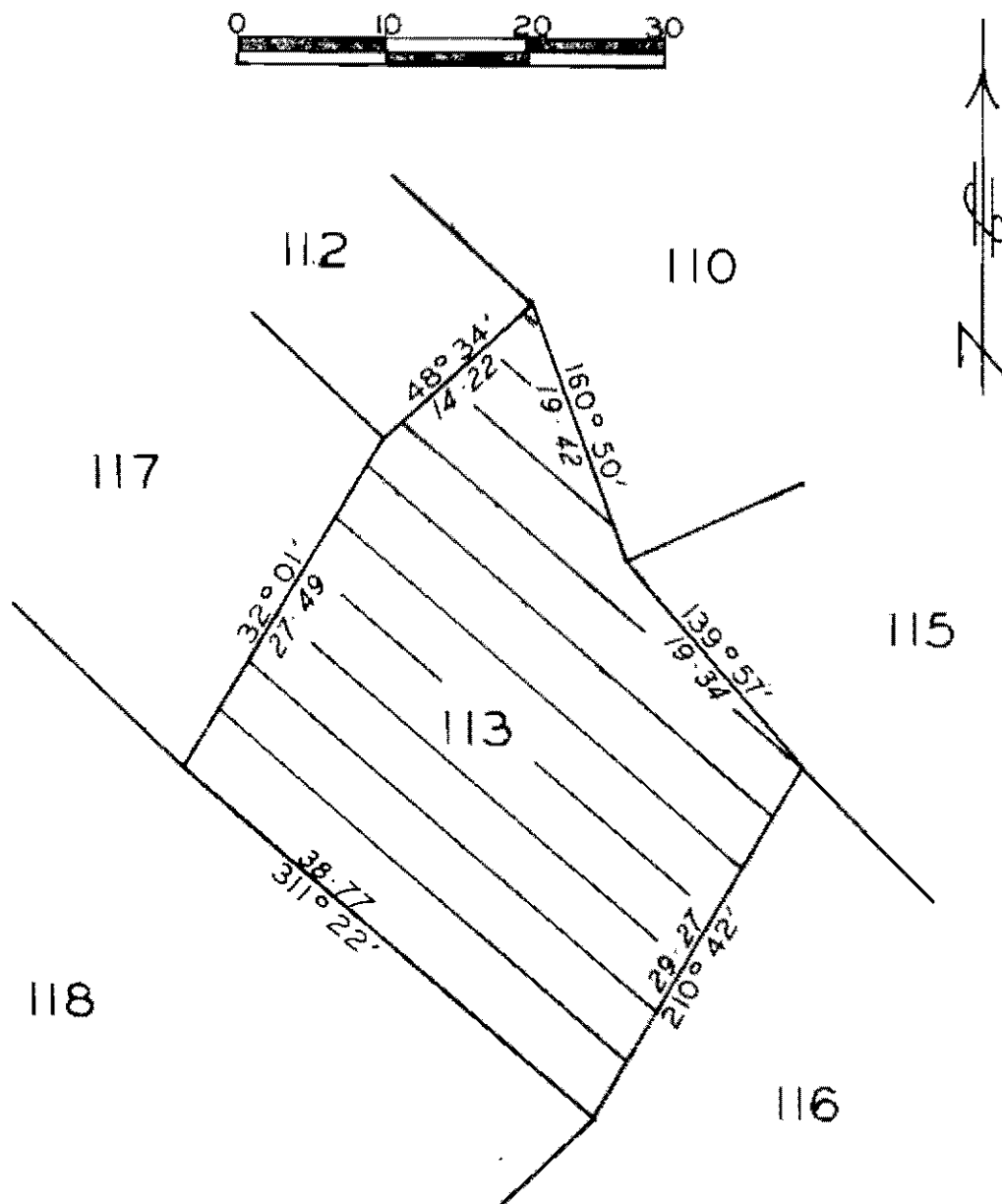
J A Daguape
VICE CHAIRMAN

G.N. No. 181/1978

CLASSIFICATION OF LAND

BY VIRTUE of the powers vested in me by SECTION 7 of the LANDS ACT 1976, I HEREBY classify the land shown hatched on the plan hereunder as NON-PHOSPHATE BEARING.

DISTRICT OF BAITI



J.A. BOP.
ACTING MINISTER
FOR ISLAND DEVELOPMENT AND INDUSTRY
14. 7. 1978

No. 39

19 July 1978

Nauru

G.N. No. 182/1978

LIQUOR ORDINANCE 1967

(SECTION 22 AND 24)

APPLICATION FOR RENEWAL OF LICENCE

Notice is hereby given that the following application for the RENEWAL of a LIQUOR RETAILERS' LICENCE has been lodged with me :

APPLICANT'S NAME : Mrs Gadabwe Uale

APPLICANT'S ADDRESS : Ewa District

DESCRIPTION OF PREMISES : "G" Liquor Store; situated in the District of Ewa

This application will be considered at a hearing of the Liquor Licensing Board which has been set down for 10.00 a.m. on Friday 18 August 1978 at the office of the Chief Secretary, Government Offices, Yaren.

Objections based upon a substantial ground may be raised at the hearing of any applications by :

- (a) a Licensing Inspector;
- (b) the Government Medical Officer;
- (c) jointly, by three or more persons over the age of twenty-one years.

A person who desires to make an objection at the hearing of an application shall lodge with the Registrar a notice of objection stating his full name and address and the grounds upon which the objection is made and shall serve a copy of the notice upon the applicant within twenty-four hours from the time of lodgement.

Dated this 17th Day of July 1978.

Registrar
LIQUOR LICENSING BOARD

G.N. No. 183/1978

LIQUOR ORDINANCE 1967

(SECTION 22 AND 24)

APPLICATION FOR RENEWAL OF LICENCE

Notice is hereby given that the following application for the RENEWAL of a LIQUOR RETAILERS' LICENCE has been lodged with me :

No. 39

19 July 1978

Nauru

G.N. No. 183/1978 (cont'd)

APPLICANT'S NAME : Mrs Eidereirok Akua
APPLICANT'S ADDRESS : Anibare District
DESCRIPTION OF PREMISES : Atagigia Clan Liquor Retailer;
situated in the District of Anibare

This application will be considered at a hearing of the Liquor Licensing Board which has been set down for 10.00 a.m. on Friday 18 August 1978 at the Chief Secretary's office, Government Office Yaren.

Objections based upon a substantial ground may be raised at the hearing of any applications by :

- (a) a Licensing Inspector;
- (b) the Government Medical Officer; or
- (c) jointly, by three or more persons over the age of twenty-one years.

A person who desires to make an objection at the hearing of an application shall lodge with the Registrar a notice of objection stating his full name and address and the grounds upon which the objection is made and shall serve a copy of the notice upon the applicant within twenty-four hours from the time of lodgement.

Dated this 17th day of July 1978.

REGISTRAR
LIQUOR LICENSING BOARD

G.N. No. 184/1978

LIQUOR ORDINANCE 1967

(SECTION 22 AND 24)

APPLICATION FOR RENEWAL OF LICENCE

Notice is hereby given that the following application for the RENEWAL of a LIQUOR RETAILERS' LICENCE has been lodged with me :

APPLICANT'S NAME : Mrs Etararo Harris
APPLICANT'S ADDRESS : Boe District
DESCRIPTION OF PREMISES : Hibiscus Store; situated in the District of Boe

No. 39

19 July 1978

Nauru

G.N. No. 184/1978 (cont'd)

This application will be considered at a hearing of the Liquor Licensing Board which has been set down for 10.00 a.m. on Friday 18 August 1978 at the office of the Chief Secretary, Government Offices, Yaren.

Objections based upon a substantial ground may be raised at the hearing of any applications by :

- (a) a Licensing Inspector;
- (b) the Government Medical Officer; or
- (c) jointly, by three or more persons over the age of twenty-one years.

A person who desires to make an objection at the hearing of an application shall lodge with the Registrar a notice of objection stating his full name and address and the grounds upon which the objection is made and shall serve a copy of the notice upon the applicant within twenty-four hours from the time of lodgement.

Dated this 17th day of July 1978.

REGISTRAR
LIQUOR LICENSING BOARD

G.N. No. 185/1978

LIQUOR ORDINANCE 1967

(SECTIONS 22 AND 24)

APPLICATION FOR RENEWAL OF LICENCE

Notice is hereby given that the following application for the RENEWAL of a LIQUOR RETAILERS' LICENCE has been lodged with me :

APPLICANT'S NAME : Mr Botelanga Malie
APPLICANT'S ADDRESS : Meneng District
DESCRIPTION OF PREMISES : Ataro Liquor Store; situated in the District of Meneng.

This application will be considered at a hearing of the Liquor Licensing Board which has been set down for 10.00 a.m. on Friday 18 August 1978 at the office of the Chief Secretary, Government Offices, Yaren.

No. 39

19 July 1978

Nauru

G.N. No. 185/1978 (cont'd)

Objections based upon a substantial ground may be raised at the hearing of any applications by :

- (a) a Licensing Inspector;
- (b) the Government Medical Officer; or
- (c) jointly, by three or more persons over the age of twenty-one years.

A person who desires to make an objection at the hearing of an application shall lodge with the Registrar a notice of objection stating his full name and address and the grounds upon which the objection is made and shall serve a copy of the notice upon the applicant within twenty-four hours from the time of lodgement.

Dated this 17th Day of July 1978

REGISTRAR
LIQUOR LICENSING BOARD

G.N. No. 175/1978

REPUBLIC OF NAURU
MOTOR TRAFFIC ACT 1937 - 1973
APPOINTMENT OF REGISTRAR OF MOTOR VEHICLES
UNDER SECTION 5

I, BURARO DETUDAMO, Minister for Justice, in exercise of the powers vested in me by Section 5 of the Motor Transport Act 1937-1973, DO HEREBY appoint DAVID GEOFFREY LANG to the office of Registrar of Motor Vehicles.

Given under my hand this 4th day of July, One Thousand Nine Hundred and Seventy-Eight.

R B Detudamo
MINISTER FOR JUSTICE
